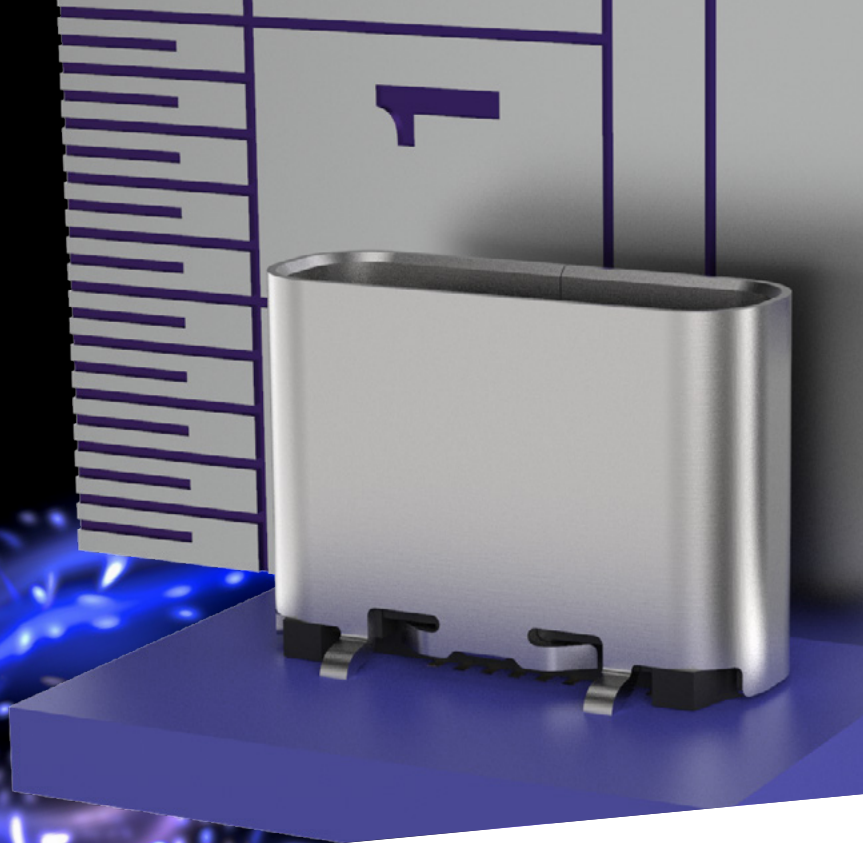


ionex[®]

USB Connectors for Charging Applications

Cost-effective
low profile
USB C
vertical socket



GCT

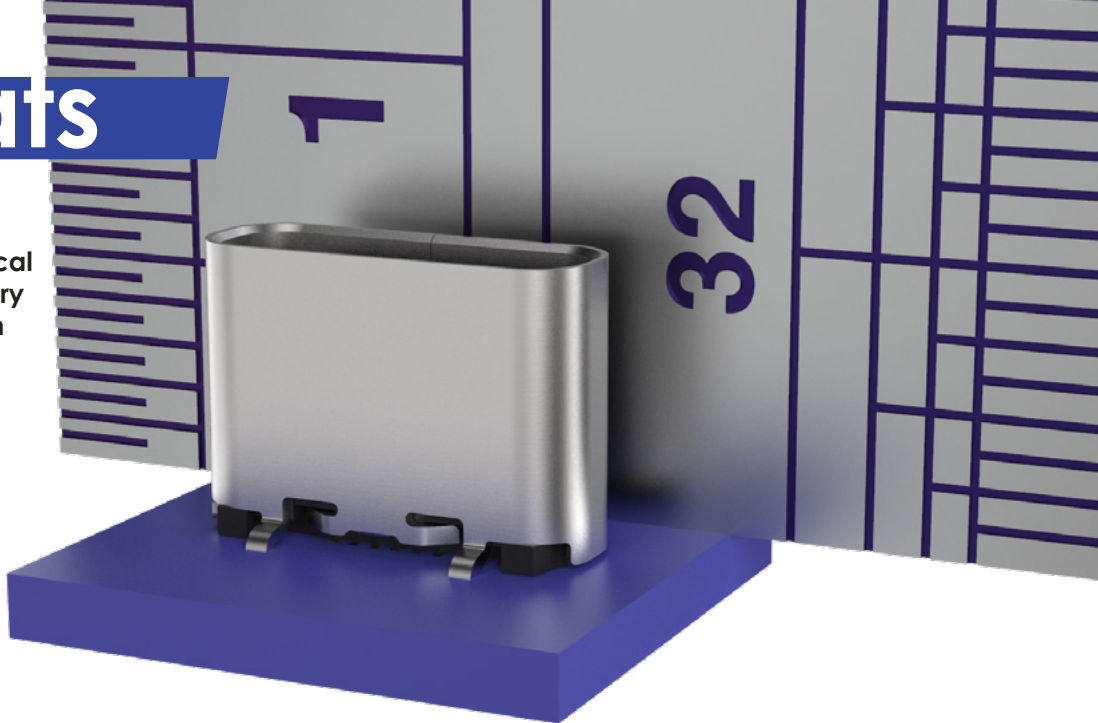
USB4120

Product Release

Vital Stats

GCT's USB4120 is part of the competitively priced ionex® USB Type C range. As a vertical mount connector, it has a very low profile at just 6.5mm high on the PCB.

USB4120 is a new addition to the GCT USB line-up and gives customers greater choice and flexibility in designs. Featuring a **very low profile of 6.5mm (.256")** on the PCB, the USB4120 is a **cost effective** vertical mount USB Type C featuring **16 pin configuration**.



Interface

USB C

Current Rating

5 Amps

Profile Above PCB

6.50mm

No. of Contacts

16

Mating Cycles

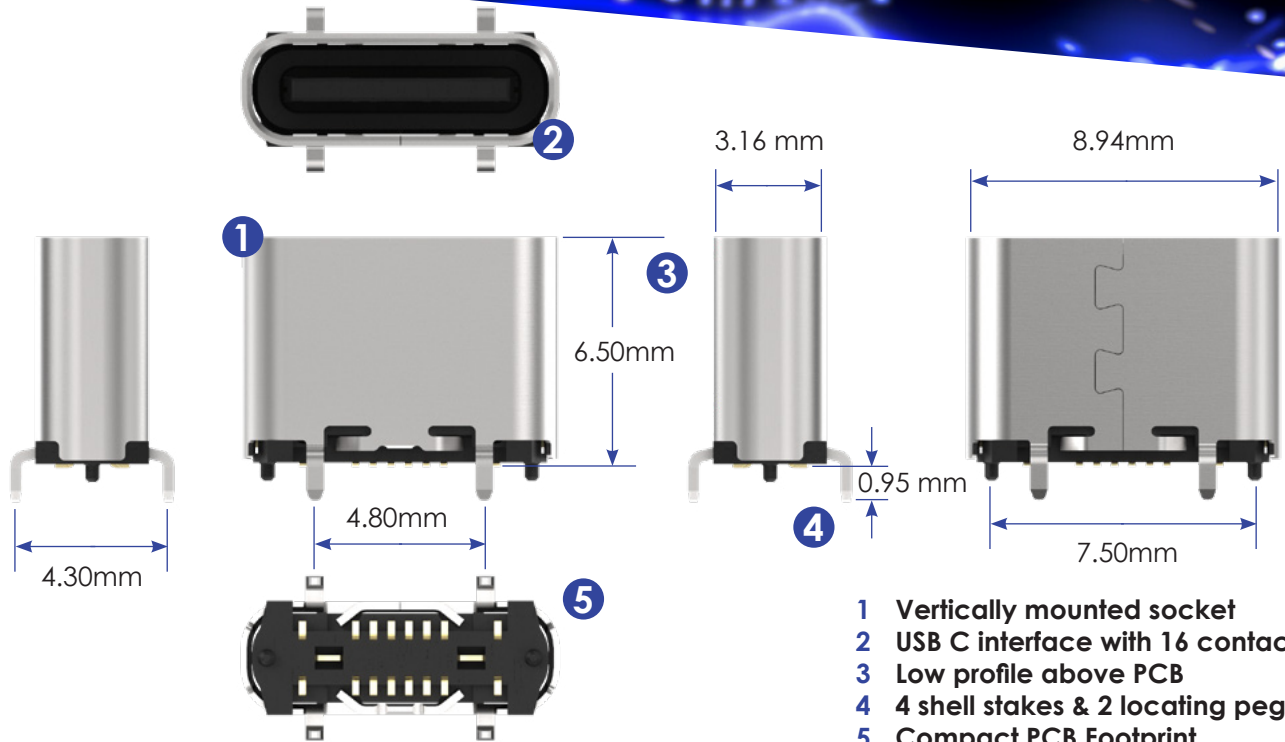
10,000

USB Specification

2.0

Four through hole shell stakes and two PCB location posts provide the USB4120 with excellent stability during processing and retention strength at end usage. The USB4120 is suitable for thinner, 0.8mm thick PCB's adding further versatility.

Plan View

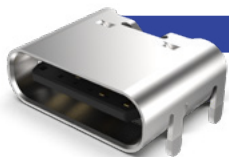


- 1 Vertically mounted socket
- 2 USB C interface with 16 contacts
- 3 Low profile above PCB
- 4 4 shell stakes & 2 locating pegs
- 5 Compact PCB Footprint

gct.co/connector/usb4120

ionex® USB C connectors for charging-focused applications

- 🔌 16 pin USB 2.0 or 6 pin charge-only options
- 🔌 Current ratings from 3 to 5 Amps
- 🔌 Compact PCB footprints
- 🔌 Long-lasting materials & design



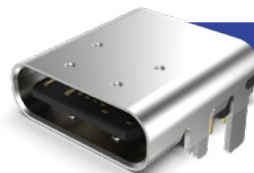
USB4125 / New

6 contact, charge-only
Horizontal receptacle
Hybrid top mount
3 Amp current rating



USB4130 / New

6 contact, charge-only
Vertical receptacle
Hybrid top mount
3 Amp current rating



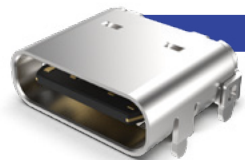
USB4085

16 contact, USB 2.0
Horizontal receptacle
Through-Hole top mount
3 Amp current rating



USB4110

16 contact, USB 2.0
Horizontal receptacle
SMT top mount
3 Amp current rating



USB4105

16 contact, USB 2.0
Horizontal receptacle
Hybrid top mount
5 Amp current rating

Explore the range at gct.co/ionex