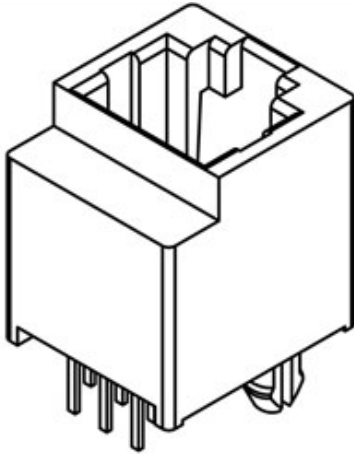
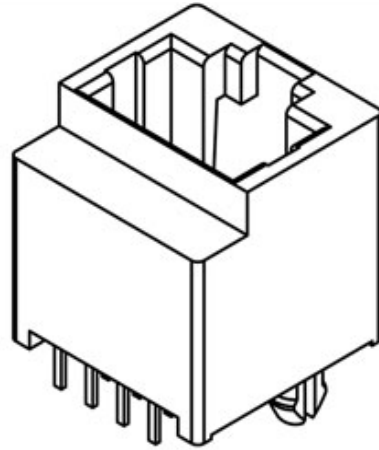


# PRODUCT SPECIFICATION

<b>Part Number</b>	MJ3105	<b>Rev</b>	A	<b>Date</b>	31/07/10		
<b>Product Description</b>	Mod Jack, Category 3, Vertical, Through Hole, 6 and 8 Position			<b>Page</b>	1		
<b>Doc Number</b>	MJ3105	<b>Prepared</b>	<b>SA</b>	<b>Checked</b>	<b>DR</b>	<b>Approved</b>	<b>LH</b>



MJ3105-6X



MJ3105-88

# PRODUCT SPECIFICATION

<b>Part Number</b>	MJ3105	<b>Rev</b>	A	<b>Date</b>	31/07/10
<b>Product Description</b>	Mod Jack, Category 3, Vertical, Through Hole, 6 and 8 Position			<b>Page</b>	2
<b>Doc Number</b>	MJ3105	<b>Prepared</b>	<b>SA</b>	<b>Checked</b>	<b>DR</b>
				<b>Approved</b>	<b>LH</b>

## 1.0 SCOPE.

This specification covers performance, tests and quality requirements for the Modular Jack, Category 3, Vertical, Through Hole, 6 and 8 Position, MJ3105 Range.

## 2.0 PRODUCT NAME AND PART NUMBER.

Modular Jack Connector, 6 Position, Category 3, Vertical, Through Hole – MJ3105-6X-X-X  
 Modular Jack Connector, 8 Position, Category 3, Vertical, Through Hole – MJ3105-88-X-X

## 3.0 PRODUCT SHAPE, DIMENSIONS AND MATERIAL.

Please refer to drawings.

## 4.0 RATINGS.

Current rating ..... 1.5 A  
 Voltage rating ..... 125 V AC  
 Storage Temperature..... -40°C to +85°C  
 Operating Temperature Range ..... -40°C to +85°C

## 5.0 TEST AND MEASUREMENT CONDITIONS.

Product is designed to meet electrical, mechanical and environmental performance requirements specified in Paragraph 6.0. All tests are performed under the following conditions unless otherwise specified.

# PRODUCT SPECIFICATION

<b>Part Number</b>	MJ3105	<b>Rev</b>	A	<b>Date</b>	31/07/10
<b>Product Description</b>	Mod Jack, Category 3, Vertical, Through Hole, 6 and 8 Position			<b>Page</b>	3
<b>Doc Number</b>	MJ3105	<b>Prepared</b>	<b>SA</b>	<b>Checked</b>	<b>DR</b>
				<b>Approved</b>	<b>LH</b>

## 6.0 PERFORMANCE.

Item	Test Condition	Requirement
Examination of Product	Visual, dimensional and functional inspection as per quality plan.	Product shall meet requirements of product drawing and specification.

## 6.1 Electrical Performance.

Item	Test Condition	Requirement
Contact Resistance	Measure the resistance between input and output and in accordance with EIA-364-23	35 mΩ maximum
Insulation Resistance	Apply 500vdc between adjacent terminals and in accordance with EIA-364-21	1000 MΩ minimum
Dielectric Strength	Apply 1000VAC for 1 minute between adjacent terminals and in accordance with EIA-364-20	No voltage breakdown

## 6.2 Mechanical Performance.

Item	Test Condition	Requirement
Durability	750 Cycles in accordance with EIA-364-09	No damage $\Delta R \leq 10m\Omega$
Solderability Test	Soldering Time: 4-5 seconds at a solder temperature of $245 \pm 5^\circ C$ and in accordance with EIA-364-52	95% minimum Solder Area
Resistance to Soldering Heat Test	Soldering Time: 4-5 seconds at a Temperature of $360 \pm 10^\circ C$ and in accordance with EIA-364-56	No damage $\Delta R \leq 10m\Omega$
Vibration Test	1.5mm, 10+55-10Hz per minute, 2hours for each X.Y and Z directions and in accordance with EIA-364-28	Discontinuity 1μ s Max.
Shock Test	Temperature: -55→20 ~ 25→85→20 ~ 35 (°C) Temperature Time: 30→5→30→5 (mins)	No damage $\Delta R \leq 10m\Omega$

# PRODUCT SPECIFICATION

<b>Part Number</b>	MJ3105	<b>Rev</b>	A	<b>Date</b>	31/07/10
<b>Product Description</b>	Mod Jack, Category 3, Vertical, Through Hole, 6 and 8 Position			<b>Page</b>	4
<b>Doc Number</b>	MJ3105	<b>Prepared</b>	<b>SA</b>	<b>Checked</b>	<b>DR</b>
				<b>Approved</b>	<b>LH</b>

	Number of Cycles: 5 In accordance with EIA-364-32B	
--	---	--

Item	Test Condition	Requirement
Mating/Unmating Force	Insertion speed at 25 ±3mm per minute and in accordance with EIA-364-13	2.27kgf Max.
Plug to Jack Retention	Plug shall not dislodge from Jack In accordance with EIA-364-35	9.1kgf Min.

### 6.3 Environmental Performance and Others.

Item	Test Condition	Requirement
Cold Resistance	-40 ±2°C, 96 hours In accordance with EIA-364-59	No damage, ΔR≤10mΩ
Heat Resistance	85 ±2°C, 96 hours In accordance with EIA-364-17	No damage, ΔR≤10mΩ
Heat Test	40 ±2°C, 90~95% RH, 96 hours In accordance with EIA-364-31	No damage, ΔR≤10mΩ
Salt Spray	35 ±2°C consistency 5 ±1%, 48 hours In accordance with EIA-364-26	No rust, ΔR≤10mΩ

# PRODUCT SPECIFICATION

<b>Part Number</b>	MJ3105	<b>Rev</b>	A	<b>Date</b>	31/07/10		
<b>Product Description</b>	Mod Jack, Category 3, Vertical, Through Hole, 6 and 8 Position				<b>Page</b>	5	
<b>Doc Number</b>	MJ3105	<b>Prepared</b>	<b>SA</b>	<b>Checked</b>	<b>DR</b>	<b>Approved</b>	<b>LH</b>

## 7.0 TEST GROUP AND SEQUENCE

Item	Description	Test Group						
		A	B	C	D	E	F	G
		Test Sequence						
1	Examination or product	1, 7	1, 6	1, 3	1, 3	1		
2	Contact resistance	2, 4				2, 4	1, 3	1, 3
3	Insulation resistance		2					
4	Dielectric strength		3					
5	Solderability		4					
6	Resistance to soldering Heat Test		5					
7	Vibration			2				
8	Shock Test				2			
9	Durability	3						
10	Mating / Unmating force	5, 6						
11	Plug to Jack retention	8, 9						
12	Cold Resistance					3		
13	Heat Resistance						2	
14	Humidity						4	
15	Salt spray							2
	Sample Size (pcs)	3	3	3	3	3	3	3