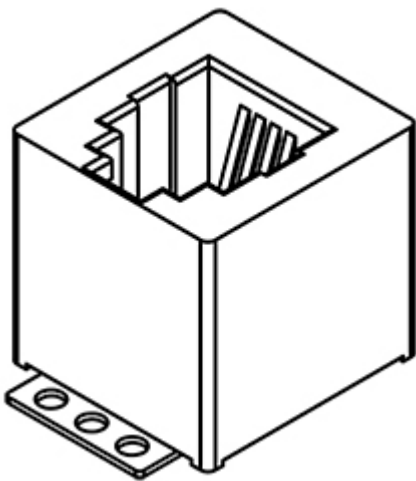
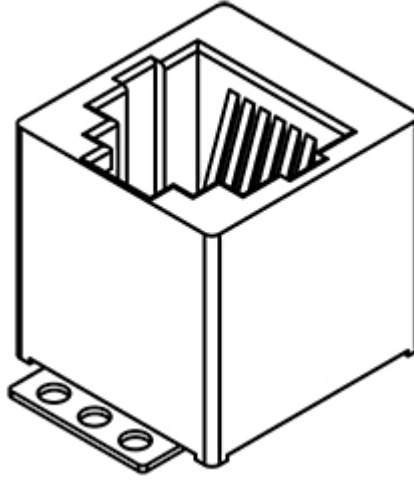


PRODUCT SPECIFICATION

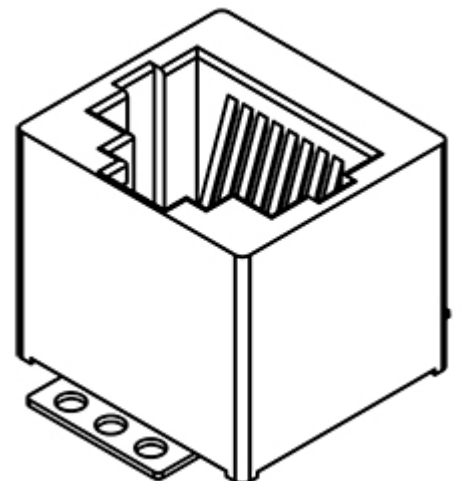
Part Number	MJ3305	Rev	A	Date	31/07/10		
Product Description	Mod Jack, Category 3, Vertical, SMT, Low Profile, 4, 6 & 8 Position				Page	1	
Doc Number	MJ3305	Prepared	SA	Checked	DR	Approved	LH



MJ3305-44



MJ3305-66



MJ3305-88

PRODUCT SPECIFICATION

Part Number	MJ3305	Rev	A	Date	31/07/10		
Product Description	Mod Jack, Category 3, Vertical, SMT, Low Profile, 4, 6 & 8 Position				Page	2	
Doc Number	MJ3305	Prepared	SA	Checked	DR	Approved	LH

1.0 SCOPE.

This specification covers performance, tests and quality requirements for the Modular Jack, Category 3, Vertical, SMT, 4, 6 & 8 Position, MJ3305 range.

2.0 PRODUCT NAME AND PART NUMBER.

Modular Jack Connector, 4 Position, Category 3, Vertical, SMT, Low Profile, with Solder Tab, without PCB peg – MJ3305-44-X-X
 Modular Jack Connector, 6 Position, Category 3, Vertical, SMT, Low Profile, with Solder Tab, without PCB peg – MJ3305-6X-X-X
 Modular Jack Connector, 8 Position, Category 3, Vertical, SMT, Low Profile, with Solder Tab, without PCB peg – MJ3305-88-X-X

3.0 PRODUCT SHAPE, DIMENSIONS AND MATERIAL.

Please refer to drawings.

4.0 RATINGS.

Current rating 1.5 A
 Voltage rating 125 V AC
 Storage Temperature..... -40°C to +85°C
 Operating Temperature Range -40°C to +85°C

5.0 TEST AND MEASUREMENT CONDITIONS.

Product is designed to meet electrical, mechanical and environmental performance requirements specified in Paragraph 6.0. All tests are performed under the following conditions unless otherwise specified.

PRODUCT SPECIFICATION

Part Number	MJ3305	Rev	A	Date	31/07/10
Product Description	Mod Jack, Category 3, Vertical, SMT, Low Profile, 4, 6 & 8 Position			Page	3
Doc Number	MJ3305	Prepared	SA	Checked	DR
				Approved	LH

6.0 PERFORMANCE.

Item	Test Condition	Requirement
Examination of Product	Visual, dimensional and functional inspection as per quality plan.	Product shall meet requirements of product drawing and specification.

6.1 Electrical Performance.

Item	Test Condition	Requirement
Contact Resistance	Measure the resistance between input and output and in accordance with EIA-364-23	30 mΩ maximum
Insulation Resistance	Apply 500vdc between adjacent terminals and in accordance with EIA-364-21	1000 MΩ minimum
Dielectric Strength	Apply 1000VAC for 1 minute between adjacent terminals and in accordance with EIA-364-20	No voltage breakdown

6.2 Mechanical Performance.

Item	Test Condition	Requirement
Durability	750 Cycles in accordance with EIA-364-09	No damage $\Delta R \leq 10m\Omega$
Solderability Test	Soldering Time: 4-5 seconds at a solder temperature of $245 \pm 5^\circ C$ and in accordance with EIA-364-52	95% minimum Solder Area
Resistance to Soldering Heat Test	Soldering Time: 4-5 seconds at a Temperature of $360 \pm 10^\circ C$ and in accordance with EIA-364-56	No damage $\Delta R \leq 10m\Omega$
Vibration Test	1.5mm, 10+55-10Hz per minute, 2hours for each X.Y and Z directions and in accordance with EIA-364-28	Discontinuity 1μ s Max.
Shock Test	Temperature: -55→20 ~ 25→85→20 ~ 35 (°C) Temperature Time: 30→5→30→5 (mins) Number of Cycles: 5 In accordance with EIA-364-32B	No damage $\Delta R \leq 10m\Omega$

PRODUCT SPECIFICATION

Part Number	MJ3305	Rev	A	Date	31/07/10
Product Description	Mod Jack, Category 3, Vertical, SMT, Low Profile, 4, 6 & 8 Position			Page	4
Doc Number	MJ3305	Prepared	SA	Checked	DR
				Approved	LH

Item	Test Condition	Requirement
Mating/Unmating Force	Insertion speed at 25 ±3mm per minute and in accordance with EIA-364-13	2.27kgf Max.
Plug to Jack Retention	Plug shall not dislodge from Jack In accordance with EIA-364-35	9.1kgf Min.

6.3 Environmental Performance and Others.

Item	Test Condition	Requirement
Cold Resistance	-40 ±2°C, 96 hours In accordance with EIA-364-59	No damage, ΔR≤10mΩ
Heat Resistance	85 ±2°C, 96 hours In accordance with EIA-364-17	No damage, ΔR≤10mΩ
Heat Test	40 ±2°C, 90~95% RH, 96 hours In accordance with EIA-364-31	No damage, ΔR≤10mΩ
Salt Spray	35 ±2°C consistency 5 ±1%, 48 hours In accordance with EIA-364-26	No rust, ΔR≤10mΩ

PRODUCT SPECIFICATION

Part Number	MJ3305	Rev	A	Date	31/07/10		
Product Description	Mod Jack, Category 3, Vertical, SMT, Low Profile, 4, 6 & 8 Position				Page	5	
Doc Number	MJ3305	Prepared	SA	Checked	DR	Approved	LH

7.0 TEST GROUP AND SEQUENCE

Item	Description	Test Group						
		A	B	C	D	E	F	G
		Test Sequence						
1	Examination or product	1, 7	1, 6	1, 3	1, 3	1		
2	Contact resistance	2, 4				2, 4	1, 3	1, 3
3	Insulation resistance		2					
4	Dielectric strength		3					
5	Solderability		4					
6	Resistance to soldering Heat Test		5					
7	Vibration			2				
8	Shock Test				2			
9	Durability	3						
10	Mating / Unmating force	5, 6						
11	Plug to Jack retention	8, 9						
12	Cold Resistance					3		
13	Heat Resistance						2	
14	Humidity						4	
15	Salt spray							2
	Sample Size (pcs)	3	3	3	3	3	3	3